

# Clutha Locksets

INTERLOCK™

ASSA ABLOY

ASSA ABLOY, the global leader  
in door opening solutions.



The Clutha offers an excellent range of short backset mortice deadlocks. For commercial applications, the Clutha range is available for use with both hinged and sliding doors. With a satin chrome finish, Clutha locksets complement the latest in contemporary hardware furniture.

## Features

- High resistance to forced entry
- Includes long (222mm x 25mm) and short (155mm x 25mm) faceplates
- Can be keyed alike to other ASSA ABLOY CYL4™ locks for one key convenience

## Options

- Hinged door kit with short (22mm) or long (36mm) throw
- Sliding door kit with hook bolt\* (28mm) and auto deadlatching hook bolt strike
- Double cylinder or cylinder and turn knob

\* Sliding door kit shown

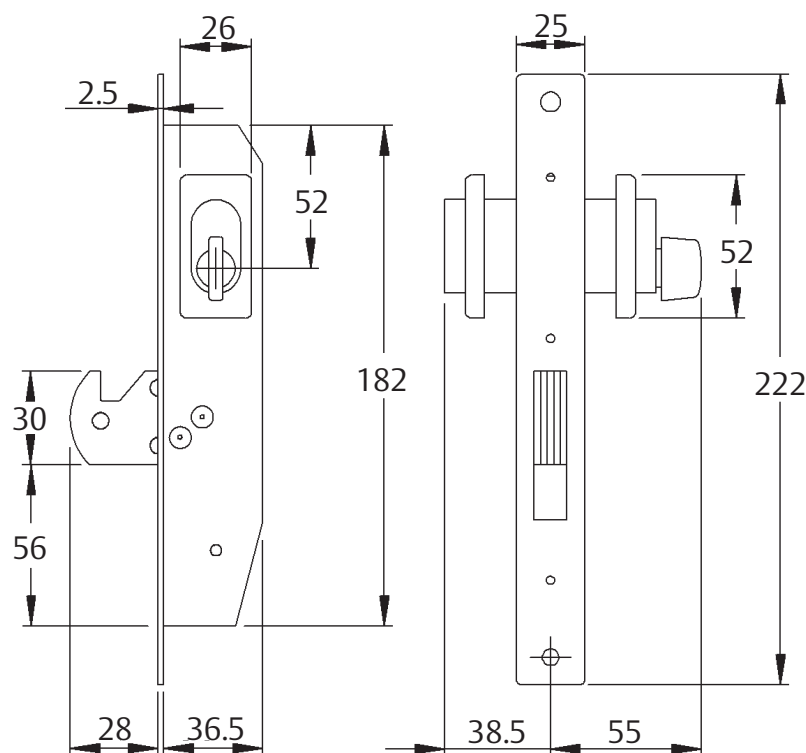
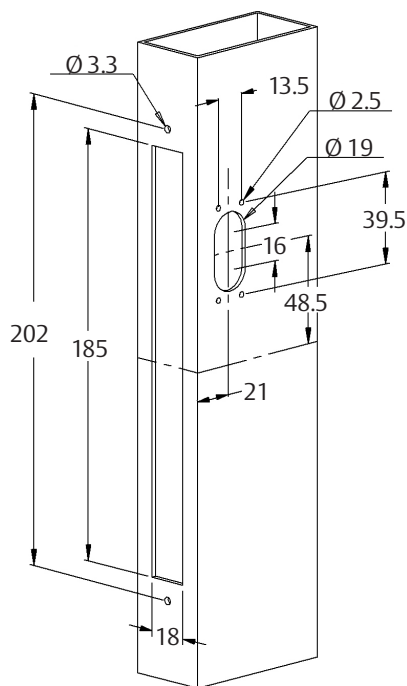
# Clutha Locksets

**INTERLOCK™**

**ASSA ABLOY**



\* Sliding door kit shown



RES-FLY-066 05 10NZ

ASSA ABLOY New Zealand Ltd.  
PO Box 100407, North Shore  
North Shore City 0745

6 Armstrong Road, Albany  
North Shore City 0632  
New Zealand

Within New Zealand:  
Tel 09 415 8031  
Fax 0800 478 297  
[www.assaabloy.co.nz](http://www.assaabloy.co.nz)

Outside New Zealand:  
Tel +64 9 921 7630  
Fax +64 9 921 6504  
[www.assaabloy.co.nz](http://www.assaabloy.co.nz)

ASSA ABLOY, the global leader  
in door opening solutions.